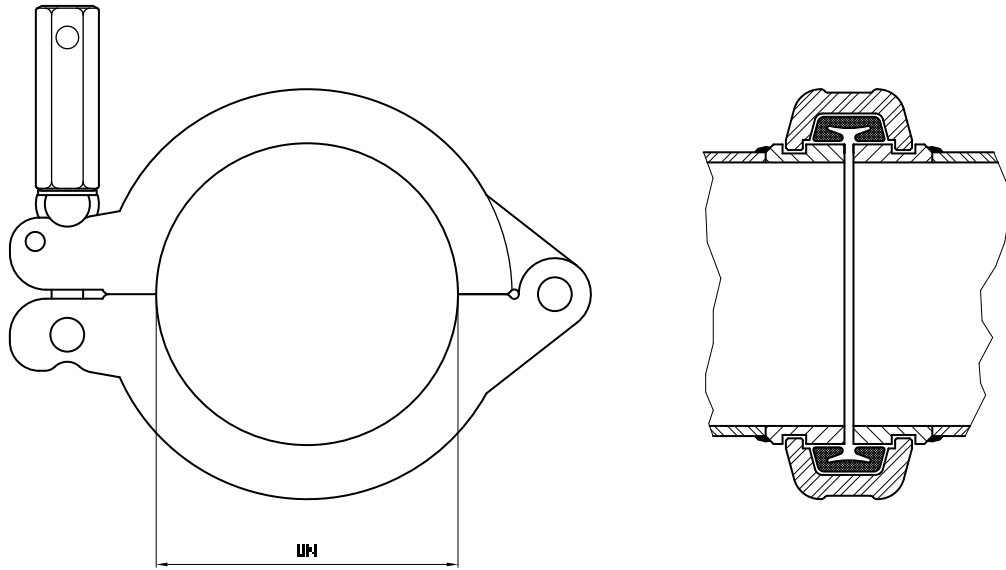


ACCESSORI PER POMPE CALCESTRUZZO
ACCESSORIES FOR CONCRETE PUMPS



GIUNTO A BULLONE LUNGO – GBE/S
ONE LONG BOLT COUPLING

Pressione di Esercizio – 85Bar / Working Pressure – 85Bar

TIPO	TYPE	GBEB30S0	GBEB35S0	GBEB40S0	GBEB45S0	GBEB50S0
DN	Mm	89	97	114.3	127	141.3
	Inch	3"	3" 1/4	4"	4" 1/2	5"
TIPO	TYPE	GBEB55S0	GBEB60S0	GBEB65S0	GBEB70S0	
DN	Mm	148	168.3	178	200	
	Inch	5" 1/2	6"	6" 1/2	7"	