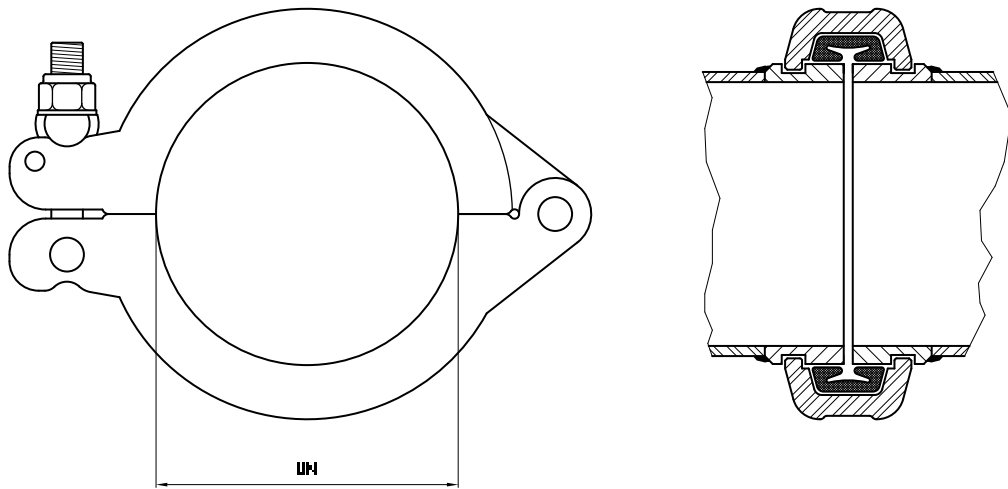


ACCESSORI PER POMPE CALCESTRUZZO
ACCESSORIES FOR CONCRETE PUMPS



GIUNTO A BULLONE CORTO – GBL/S
ONE SHORT BOLT COUPLING

Pressione di Esercizio – 85Bar / Working Pressure – 85Bar

TIPO	TYPE	GBLB30S0	GBLB35S0	GBLB40S0	GBLB45S0	GBLB50S0
DN	Mm	89	97	114.3	127	141.3
	Inch	3"	3" 1/4	4"	4" 1/2	5"
TIPO	TYPE	GBLB55S0	GBLB60S0	GBLB65S0	GBLB70S0	
DN	Mm	148	168.3	178	200	
	Inch	5" 1/2	6"	6" 1/2	7"	

