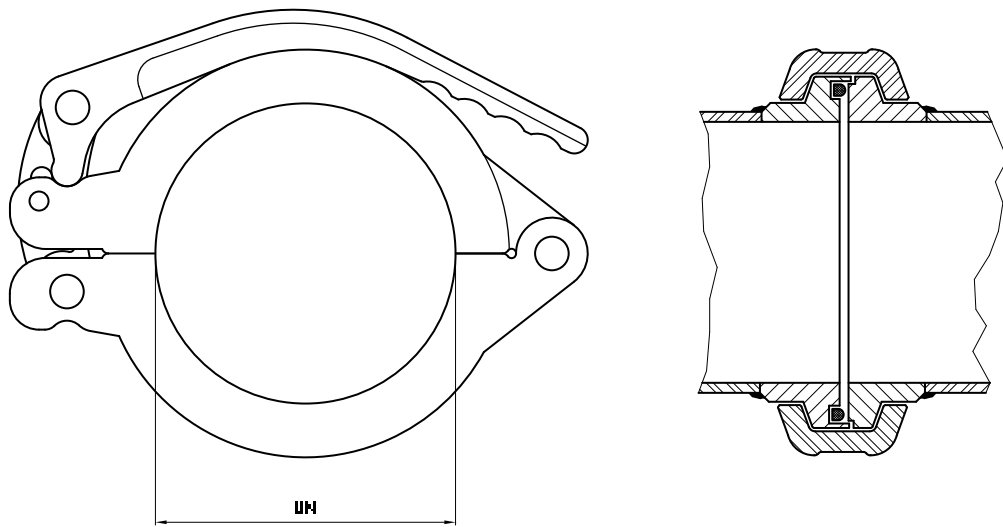


ACCESSORI PER POMPE CALCESTRUZZO
ACCESSORIES FOR CONCRETE PUMPS



GIUNTO A LEVA FISSA TIPO "B.A." CONICO – GLF/C
CONICAL FIXED STEEL COUPLING TYPE "B.A."
Pressione di Esercizio – 130Bar / Working Pressure – 130Bar

TIPO	TYPE	GLFB35C0	GLFB45C0	GLFB55C0	GLFB65C0	GLFB75C0
DN	<i>Mm</i>	114	146	168	199	227
	<i>Inch</i>	3" OR	4" OR	5" OR	6" OR	7" OR