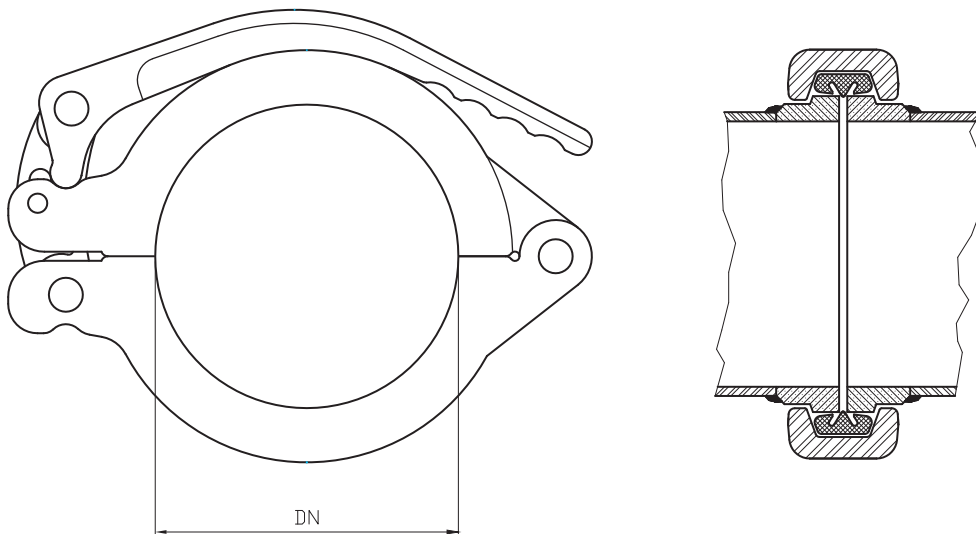


ACCESSORI PER POMPE CALCESTRUZZO  
ACCESSORIES FOR CONCRETE PUMPS

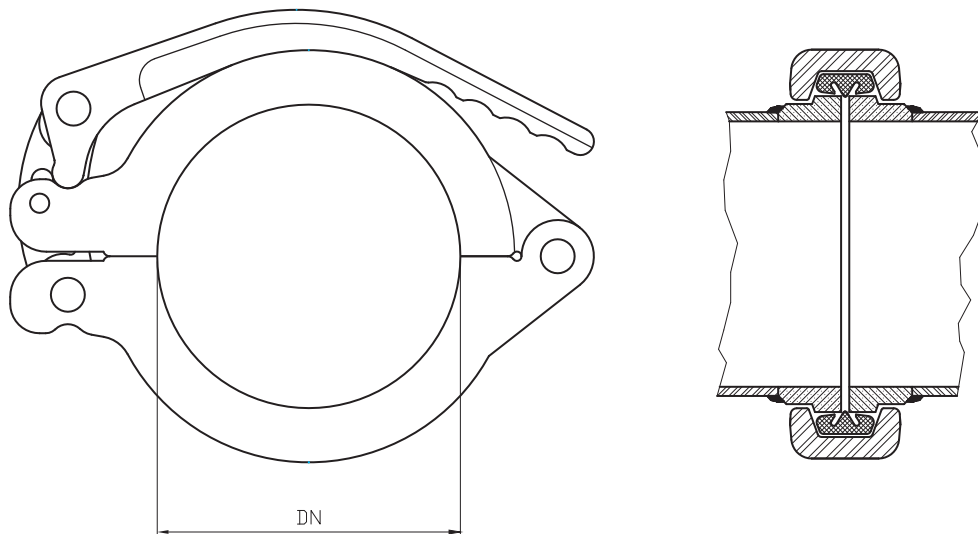


GIUNTO A LEVA FISSA HEAVY DUTY – GLF/HD  
*FIXED STEEL COUPLING HEAVY DUTY*

*Pressione di Esercizio – 85Bar / Working Pressure – 85Bar*

| <b>TIPO</b> | <b>TYPE</b> | <b>GLFB35C4</b> | <b>GLFB45C4</b> | <b>GLFB55C4</b> |
|-------------|-------------|-----------------|-----------------|-----------------|
| <b>DN</b>   | <b>Mm</b>   | 80              | 100             | 120             |
|             | <b>Inch</b> | <b>3" HD</b>    | <b>4" HD</b>    | <b>5" HD</b>    |

ACCESSORI PER POMPE CALCESTRUZZO  
ACCESSORIES FOR CONCRETE PUMPS



GIUNTO A LEVA FISSA HEAVY DUTY – GLF/HD  
*FIXED STEEL COUPLING HEAVY DUTY*

*Pressione di Esercizio – 130Bar / Working Pressure – 130Bar*

| <b>TIPO</b> | <b>TYPE</b> | <b>GLFB20C5</b> | <b>GLFB25C5</b> | <b>GLFB60C5</b> |
|-------------|-------------|-----------------|-----------------|-----------------|
| <b>DN</b>   | <b>Mm</b>   | 50              | 65              | 150             |
|             | <b>Inch</b> | <b>2" HD</b>    | <b>2"½ HD</b>   | <b>6" HD</b>    |