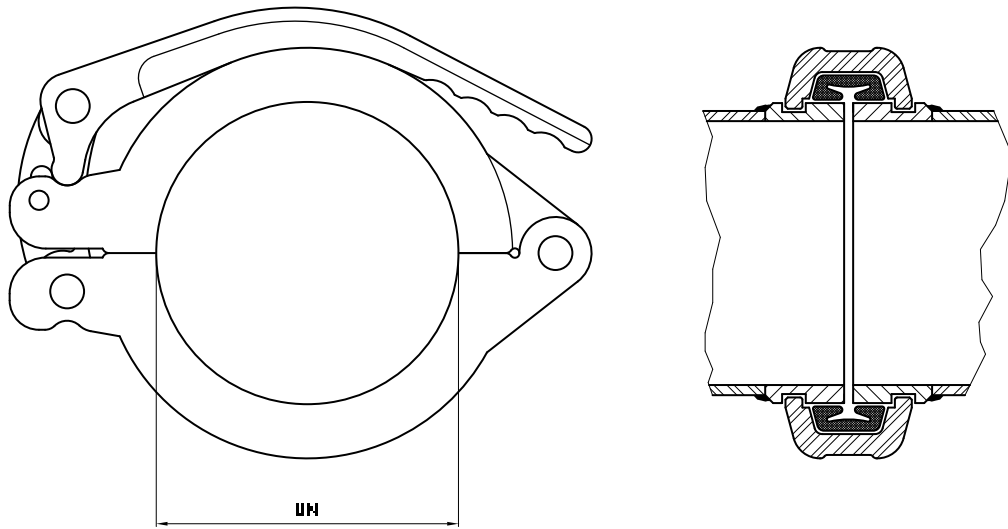


ACCESSORI PER POMPE CALCESTRUZZO
ACCESSORIES FOR CONCRETE PUMPS



GIUNTO A LEVA FISSA TIPO "B.A." – GLF/S
FIXED STEEL COUPLING TYPE "B.A."

Pressione di Esercizio – 85Bar / Working Pressure – 85Bar

TIPO	TYPE	GLFB30S0	GLFB35S0	GLFB40S0	GLFB45S0	GLFB50S0
DN	Mm	89	97	114.3	127	141.3
	Inch	3"	3" 1/4	4"	4" 1/2	5"
TIPO	TYPE	GLFB55S0	GLFB60S0	GLFB65S0	GLFB70S0	
DN	Mm	148	168.3	178	200	
	Inch	5" 1/2	6"	6" 1/2	7"	