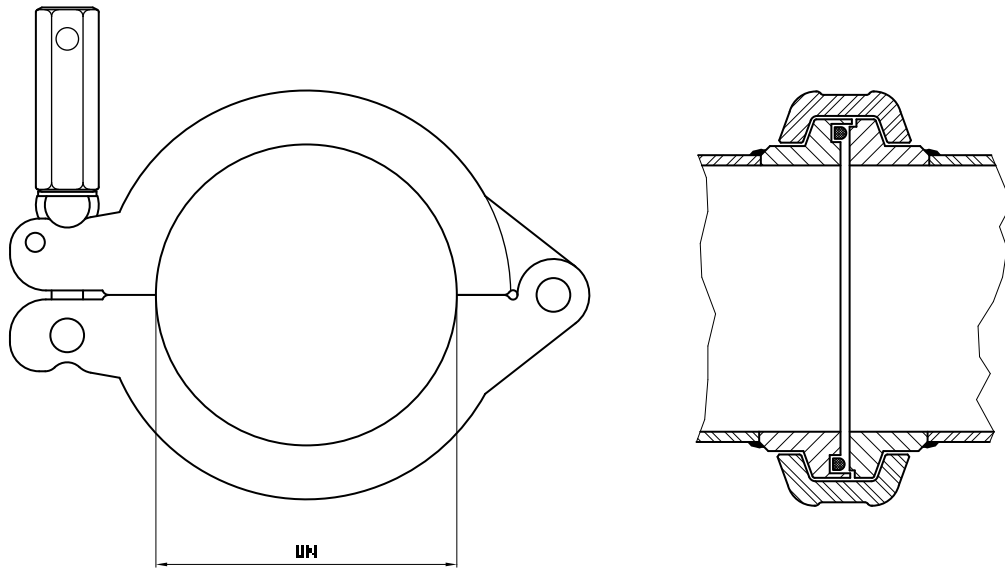


ACCESSORI PER POMPE CALCESTRUZZO  
ACCESSORIES FOR CONCRETE PUMPS



GIUNTO A BULLONE LUNGO CONICO – GBE/C  
CONICAL ONE LONG BOLT COUPLING

*Pressione di Esercizio – 130Bar / Working Pressure – 130Bar*

TIPO	TYPE	GBEB35C0	GBEB45C0	GBEB55C0	GBEB65C0	GBEB75C0
DN	Mm	114	146	168	199	227
	Inch	3" OR	4" OR	5" OR	6" OR	7" OR