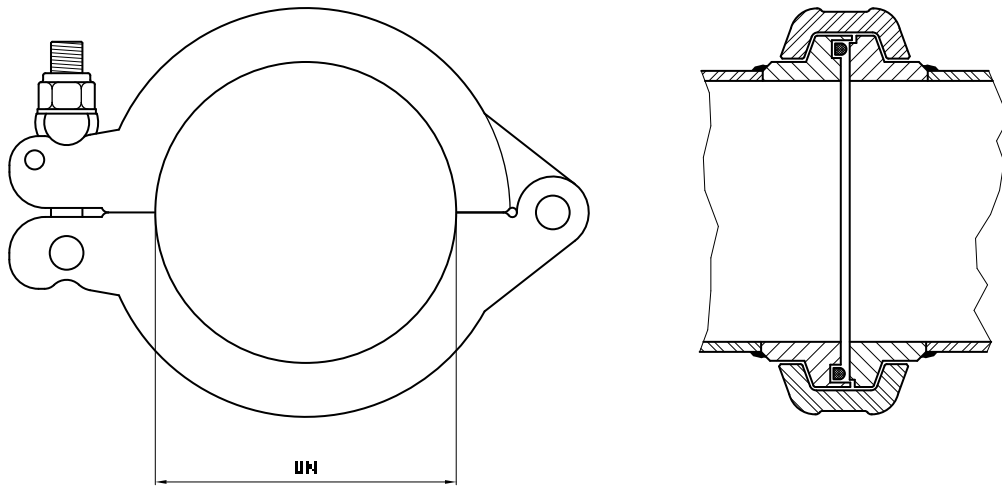


ACCESSORI PER POMPE CALCESTRUZZO
ACCESSORIES FOR CONCRETE PUMPS



GIUNTO A BULLONE CORTO CONICO – GBL/C
CONICAL ONE SHORT BOLT COUPLING

Pressione di Esercizio – 130Bar / Working Pressure – 130Bar

TIPO	TYPE	GBLB35C0	GBLB45C0	GBLB55C0	GBLB65C0	GBLB75C0
DN	Mm	114	146	168	199	227
	Inch	3" OR	4" OR	5" OR	6" OR	7" OR